

For all heating systems

# HEIFI-TOP HEIFI-VENT

## Backflush Filter with Venting System

Silt and gases in the heating circuit lead to malfunctions, reduced output and corrosion. JUDO HEIFI-TOP and HEIFI-VENT heating filters filter out even fine suspended materials and remove harmful air bubbles. And all that without using any chemicals.

### The advantages

- ◆ Cleaning and fast venting with only 1 device
- ◆ Improved heat transport
- ◆ Greater functional reliability
- ◆ Reduced risk of corrosion
- ◆ No filter screen – no follow-up costs
- ◆ Thermally insulated
- ◆ Made in Germany



# HEIFI-FÜL

## Automatic filling station

### The advantages

- ◆ Standard filling and topping up to DIN/EN 1717
- ◆ Always the right operating pressure
- ◆ Permanent installation
- ◆ Safe connection with the pipe system through the BA pipe disconnecter
- ◆ Reduced oxygen intake
- ◆ Made in Germany

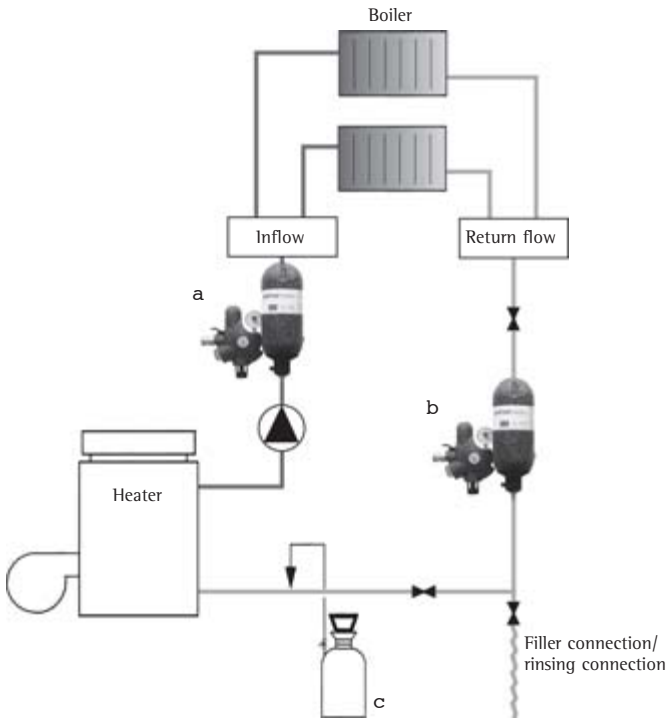




**Before:**  
Dirty heating water due to corrosion particles.

**After:**  
Heating water as it should be.

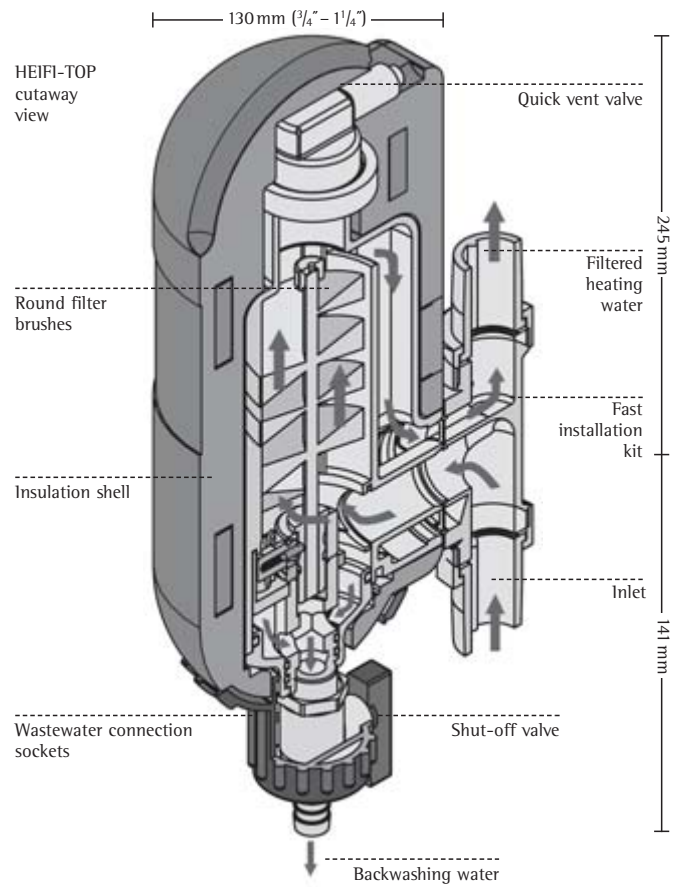
## Installation diagram



Two possible installations:

- a Preferred protection through gas removal
- b Preferred protection against silt
- c Optional: Metering pump for dosing solution

We stock JUDO equipment:



## HEIFI-TOP technical specifications

Model	JHF-T*	JHF-T	JHF-T	JHF-T**	JHF-T**
Pipe connection inch	3/4"	1"	1 1/4"	1 1/2"	2"
Flow rate m <sup>3</sup> /h	2	3	4	6	8
Max. temp. inlet water °C	90	90	90	90	90
Max. operating pressure bar	10	10	10	10	10
Installed length mm	180	195	230	252	280
Order No.	8060030	8060031	8060032	8060033	8060034

\*JHF-T 1" with 3/4" Quickset-E      \*\* 2 JHF-T 1" or 1 1/4" with parallel fitted rotary flange

### HEIFI-FÜL (JHF-F) technical specifications

Pipe connection inch	3/4"
Max. operating pressure °C	65
Max. heating water temp °C	90
Installed length mm	180
Order No.	8060040

## HEIFI-KOM

The fast installation kit. Consisting of HEIFI-TOP, HEIFI-FÜL and cross flange.

### HEIFI-KOM (JHF-K) technical specifications

Heating circuit* inch	1"	1 1/4"
Nominal flow rate HEIFI-TOP m <sup>3</sup> /h	3	4
Order No.	8060051	8060052

\*Drinking water system 3/4"



JUDO Wasseraufbereitung GmbH  
 Postfach 380 · D-71351 Winnenden  
 Tel. +49 (0) 71 95/6 92-0  
 Fax +49 (0) 71 95/6 92-110  
 e-mail: export@judo-online.de  
 www.judo-online.de